

MOSO[®]
bamboo
x-treme[®]
outdoor
siding

installation instruction

MOSO® bamboo x-treme® outdoor siding

installation instruction shiplap profile BO-SID18-137

storage and handling

MOSO® Bamboo X-treme® should be kept out of direct sunlight and should not be exposed to inclement weather before installation.

safety

Drilling, sawing, sanding, and machining Bamboo X-treme® generates dust. Avoid inhaling dust by wearing a dust mask. Visit www.moso-bamboo.com for MSDS information.

required tools

- Drill
- Drill bits
- A four foot and eight-foot level
- Safety glasses
- Power screw gun with ratcheting torque setting
- Chop saw
- Bamboo X-treme® can be crosscut with a quality chop saw, using a carbide-tipped blade. Ripping can be done on a standard table saw, using a properly aligned quality fence with a carbide-tipped blade.
- Anchorseal-2 Wood Sealer or equivalent is strongly recommended on cross-cut ends to minimize the effects of weather on these exposed ends.
- Bamboo X-treme® can be routed or planed with high-speed steel or carbide cutters. When required, only sand in the direction of the grain—i.e. belt sander. Never use an orbital sander.

before installation

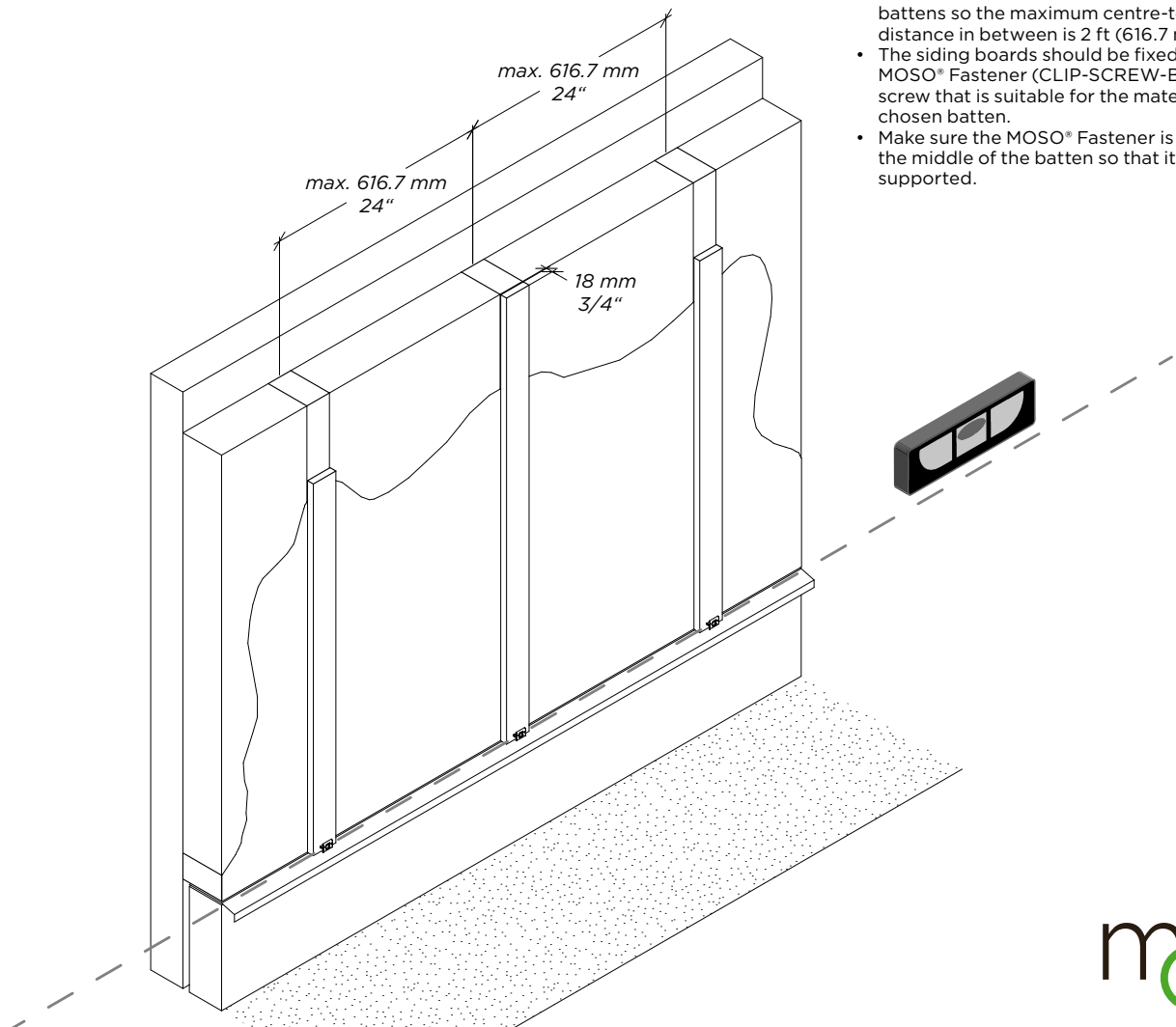
- Bamboo X-treme® siding should not be installed in contact with the ground at grade level, a concrete slab, deck materials or standing water. Allow a minimum of 1"- 2" clearance between the bottom edges of the rain screen and the ground, slab, or deck to allow for adequate ventilation.
- Keep at least 3/16" ventilation space between the boards (in vertical direction).
- Installation with MOSO® Bamboo X-treme® fasteners ensures correct spacing automatically.
- Because of the stability of the boards and the shape of the end-match system no expansion space is needed on the length (board ends).
- We recommend applying end sealer wax on every cut end to prevent water penetration. Failure to end seal the boards at the time of installation may lead to checking which is not covered by the warranty.
- At the edges of the siding, keep a distance of 1/4" - 1/2" from adjacent materials, to allow for sufficient ventilation.

please note

- Local building codes must always be consulted. Most counties require building permits.
- MOSO® Bamboo X-treme® is a natural product, which varies in color, grain and appearance. Color can change fast from dark brown to brown or gray, depending on the maintenance schedule.

the installation

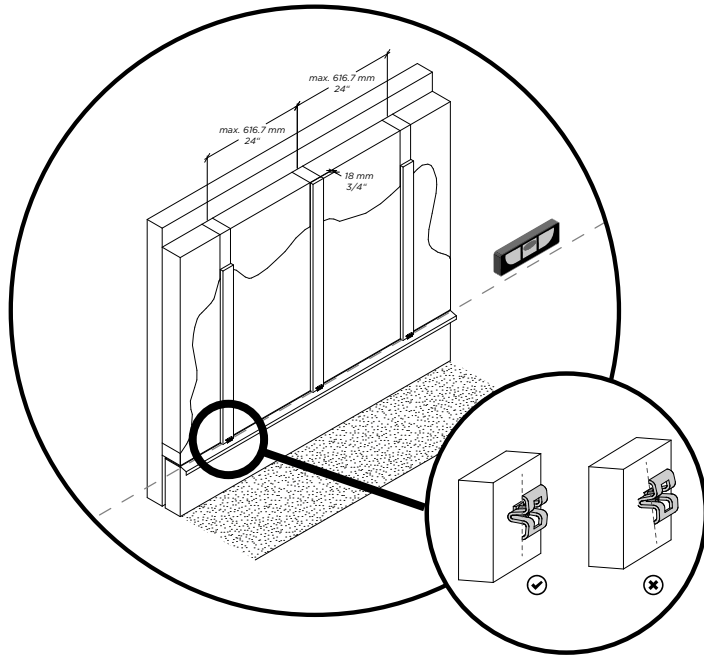
- Apply a waterproof membrane against the wall and screw vertical battens (at least 20mm 19 mm thick x 60 mm wide / 1x2") onto that, creating a rigid / flat surface onto which the boards can be fixed.
- Each board should be fixed on at least 3 battens so the maximum centre-to-centre distance in between is 2 ft (616.7 mm / 24").
- The siding boards should be fixed using the MOSO® Fastener (CLIP-SCREW-BX07). Use a screw that is suitable for the material of the chosen batten.
- Make sure the MOSO® Fastener is screwed in the middle of the batten so that it is fully supported.



MOSO® bamboo x-treme® outdoor siding installation instruction shiplap profile BO-SID18-137

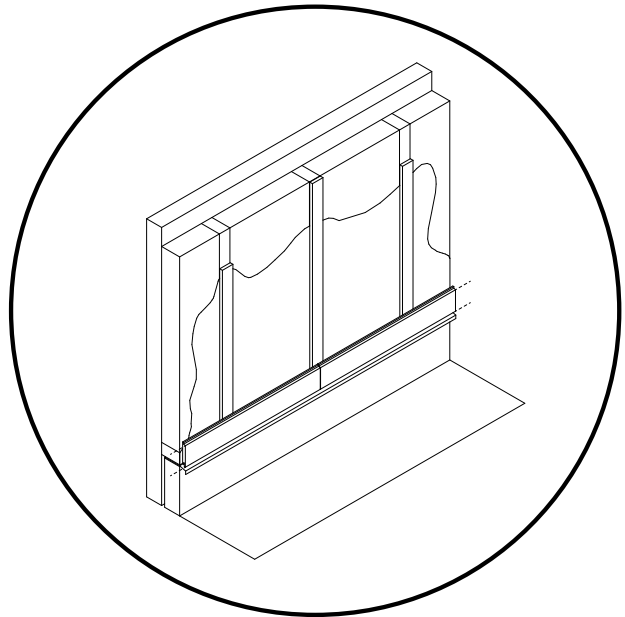
• STEP 1 leveling fasteners

- Start with the lowest row of fasteners and make sure they are placed fully level (using a spirit level).
- Avoid overtightening the screws as this can pull the fastener slightly into the wood, making it difficult to place the board onto the fastener.
- We advise always fixing the end of the boards (end joints) on a batten, using 2 fasteners. If a random joint pattern is desired, the distance between the battens should be maximum 300 mm / 12" (see drawing random pattern page 4).



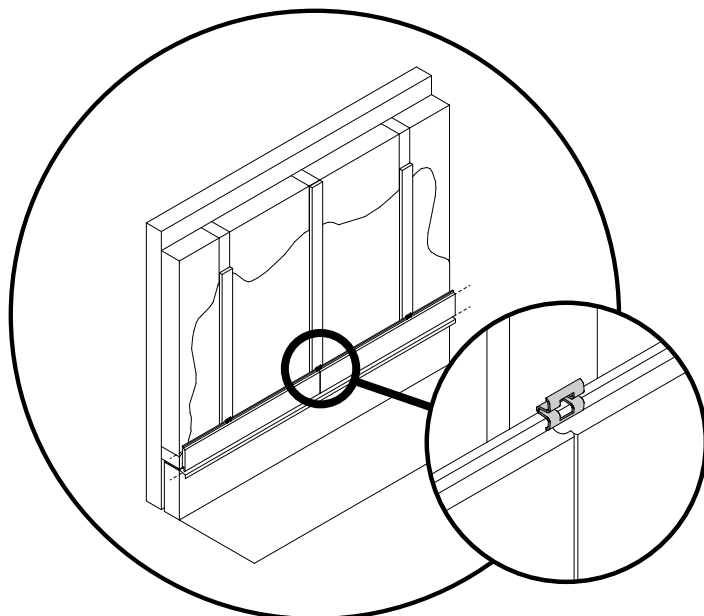
• STEP 2 install first row of boards

- Make sure that the fasteners engage deeply enough in the groove so that the boards lay level. Tapping the boards should be done carefully, preferably with a rubber mallet.
- Install the first row of boards.



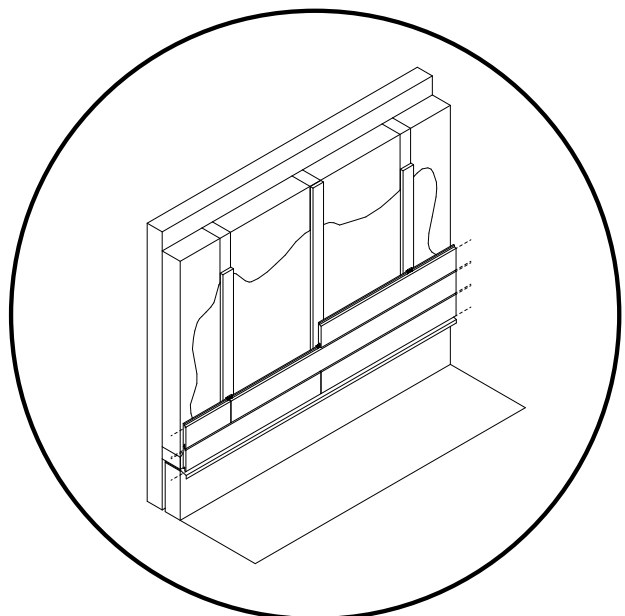
• STEP 3 second row of fasteners

- Install the second row of fasteners, pushing them down on the edge of the first row of boards.



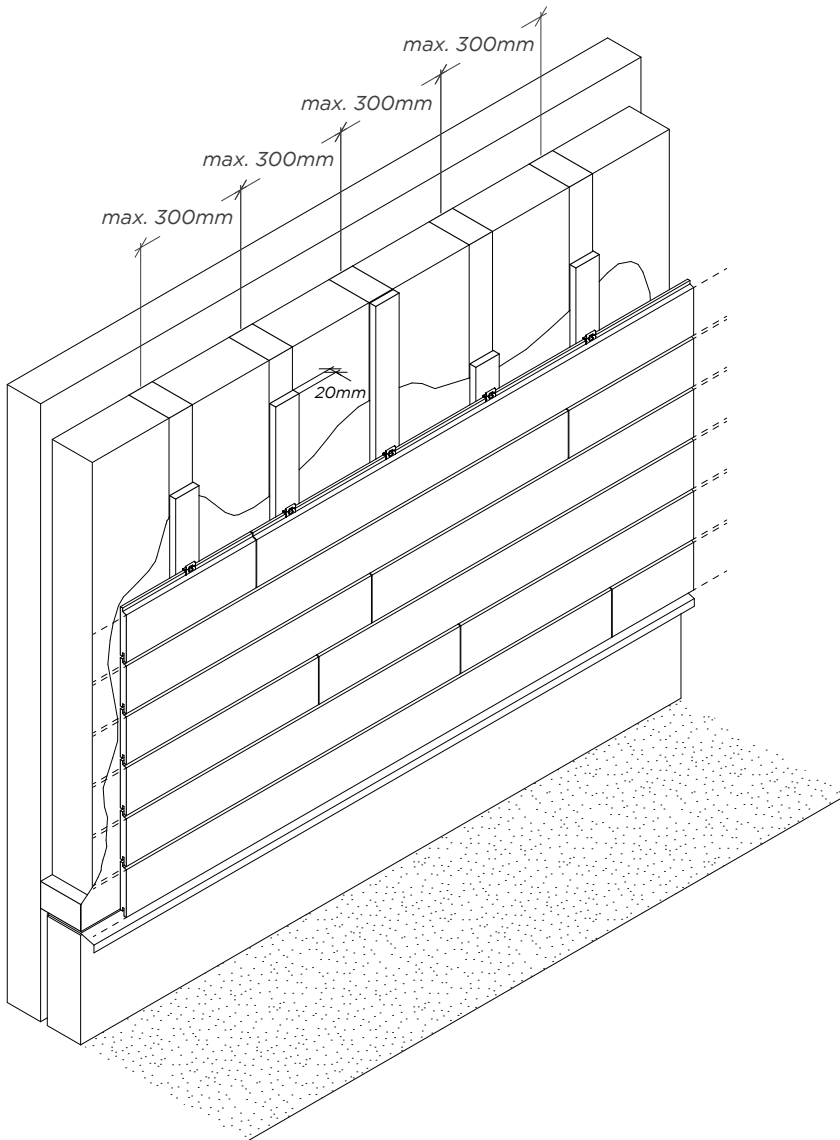
• STEP 4 install rest of boards

- Install the second row of boards in the same way, and continue for the rest of the surface.
- Check regularly if the boards are level.



MOSO® bamboo x-treme® outdoor siding installation instruction shiplap profile BO-SID18-137

MOSO® Bamboo X-treme® siding random pattern:



maintenance

The surface sides of the boards will get rougher and silver over time. If you want to keep a darker color, regular maintenance is needed:

- Clean the material with water.
- Let the material dry.
- Apply a coat of exterior penetrating oil for hardwoods.
- We recommend to repeat this (cleaning + reapplying oil) at least once per year.
- See additional maintenance instructions at www.moso-bamboo.com/maintenance

additional note

While all due care is taken to ensure the accuracy of the installation instructions, individual circumstances (location, wall structure/sheathing and installation procedures) may vary and are beyond the manufacturer's control. In case of doubt, please consult your local dealer/distributor.

These instructions are subject to change. For the latest version visit www.moso-bamboo.com

Copyright © Nothing from this text may be reproduced without the prior permission in writing from MOSO NA, Inc.