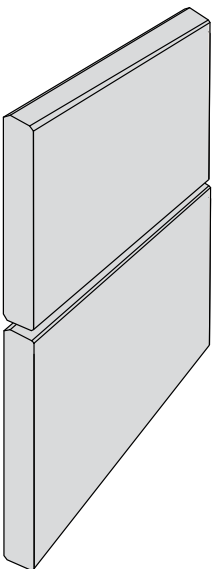


Bamboo X-treme[®] Outdoor Cladding

installation instructions

trapezium profiles

horizontal



MOSO® Bamboo X-treme® Outdoor Cladding

installation instructions trapezium profiles

important

- Make sure that the installation of the cladding, including Bamboo X-treme® Outdoor Cladding boards, complies with local building regulations.
- The MOSO® Bamboo X-treme® outdoor cladding board is a natural product, some variation in colour, grain and appearance is normal. Colour can change fast from dark brown to brown or grey, depending on the climatic conditions and maintenance schedule.
- Small cracks and splinters on the surface and on the board ends can arise from the different drying characteristics of the surface and ends. The surface will also become rougher over time. This phenomenon is normal for most wood species and is minimized for this product through the unique 'Thermo-Density®' production method. Cracks on the ends can be further minimized by applying sealer.
- Slight dimensional changes or cupping of the boards can occur after installation. This phenomenon is normal for most wood species and is minimized for this product through the unique 'Thermo-Density®' production method.
- Keep at least a 5-6 mm ventilation gap between the boards.
- Due to the stability of the boards and the shape of the end-match system, no expansion gap is needed where the boards connect.
- We recommend applying sealer on every (cut) end to prevent water penetration. A sealer is available from MOSO®.

before horizontal installation

- Fix the vertical battens (at least 20 mm thick, 60 mm wide) using screws going through the membrane into the wall construction behind. This creates a rigid/flat surface for installation of the boards.
- Each board should be fixed to at least 3 battens: so the maximum centre-to-centre spacing between the battens is 616.7 mm (1850 mm/3) (diagram 1 - normal pattern). Always install the ends of the boards exactly on the battens.
- Use minimum A2 stainless steel quality countersunk head screws. Make sure to drive the screw deep enough into the supporting construction for proper fixing.
- Please note: At the edges of the cladding, keep a gap of 7-10 mm from adjacent materials, to allow for sufficient ventilation.
- At the top of the façade, a rooftrim should be installed to avoid direct (rain)water behind the cladding installation.
- If a random joint pattern is desired, the spacing between battens can be maximum 300 mm (diagram 2 - random pattern) and each board must be fixed on at least 2 battens.

diagram 1 - normal pattern

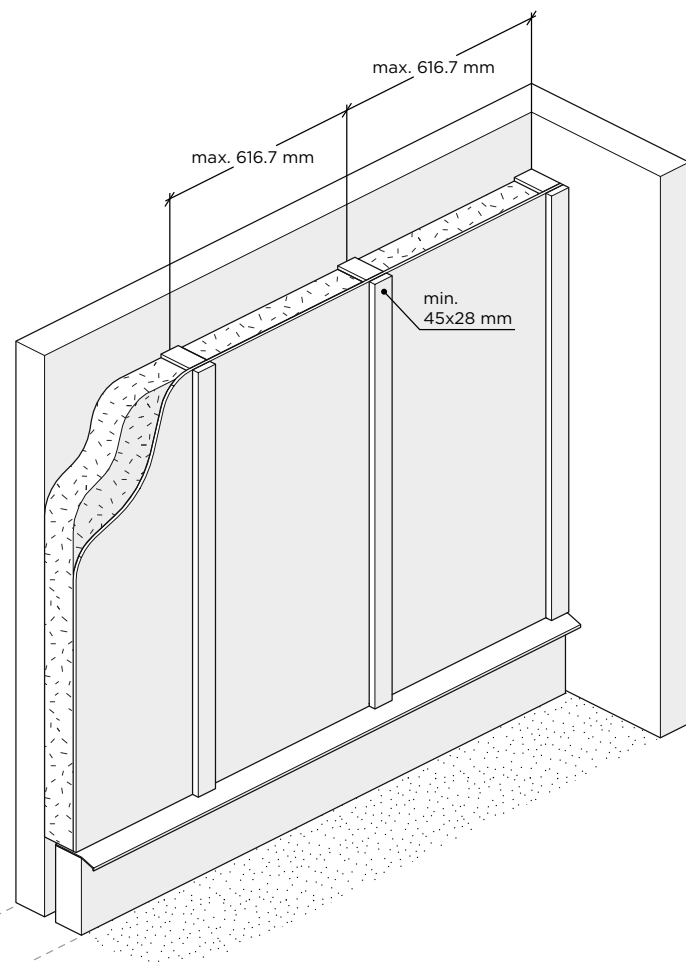
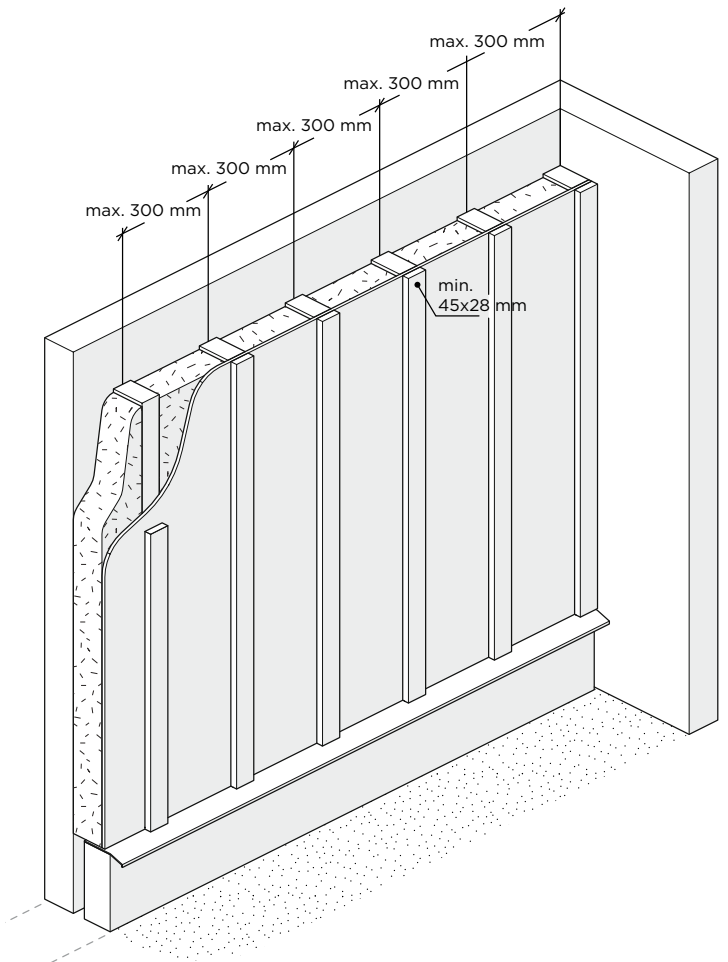


diagram 2 - random pattern



MOSO® Bamboo X-treme® Outdoor Cladding

installation instructions trapezium profiles

horizontal installation

STEP 1 - Install first row

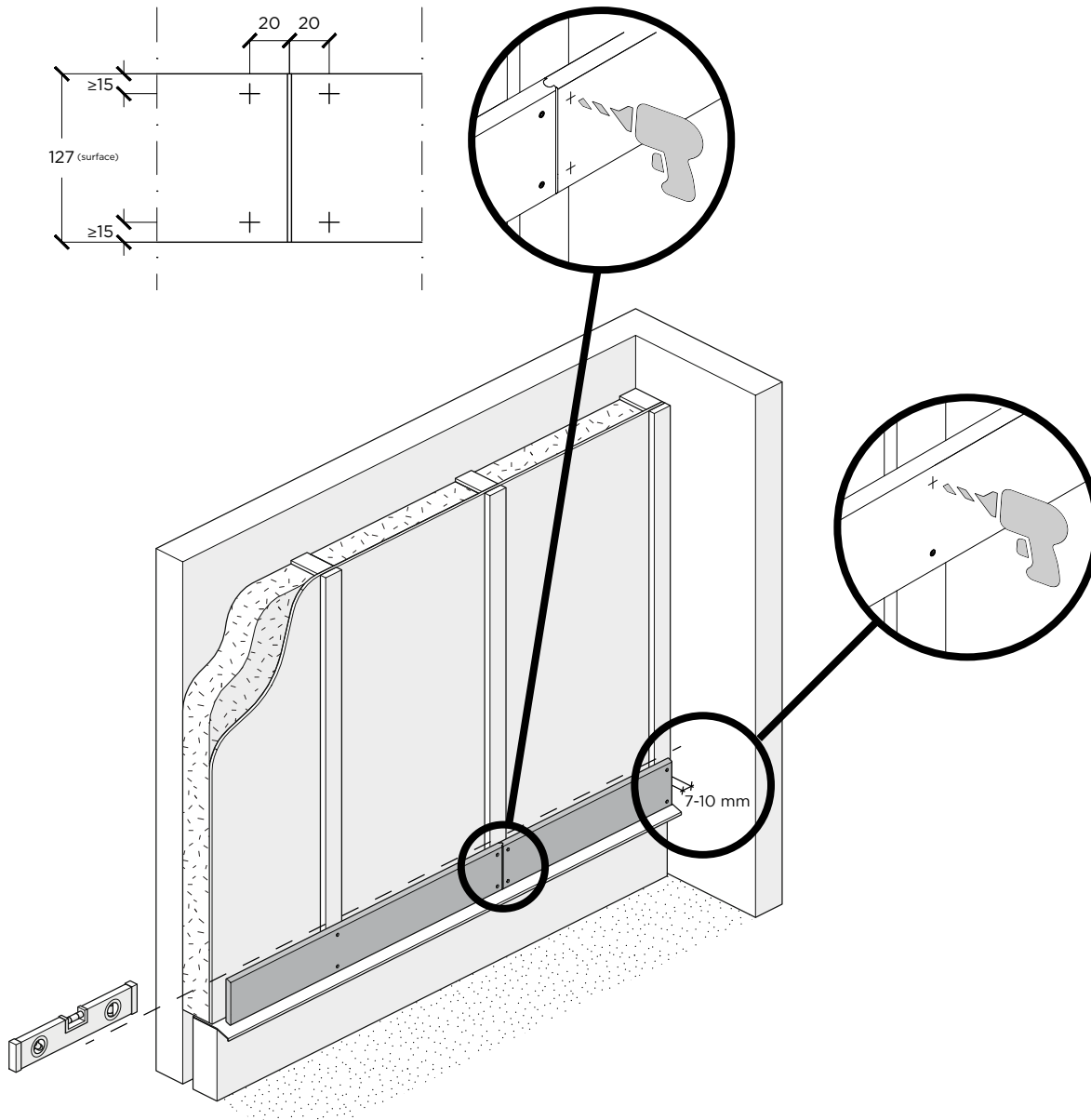
- Start with the lowest row of boards and make sure they are placed fully level (using a spirit level).
- Take care about the positioning of screws, try to align them and thereby obtain an equal distribution. Always use 2 screws at each fixing point. Use minimum A2 stainless steel quality countersunk head screws for installation. Please see the detailed drawing below, which indicates the positioning of screws.
- Make use of a countersink drill to ensure the same sinking depth for every screw.
- Make sure you keep a ventilation gap (7-10 mm) is kept on the edge of the cladding.

STEP 2 - Install second row

- Install the second row of boards, using a minimum 6 mm spacer.
- Please regularly check that the boards are still level.

STEP 3 - Continue with the rest

- Continue to install the cladding boards in this way to cover the full surface.



MOSO® Bamboo X-treme® Outdoor Cladding

installation instructions trapezium profiles

cleaning and maintenance

You can leave the cladding without any maintenance, but take into consideration that without maintenance and oiling the cladding will develop a rougher, fissured surface that will lighten quicker and become grey (similar to most timber).

If you want to keep a darker colour, regular application of Woca or Sikkens maintenance materials is needed:

- Clean the cladding with water.
- Let the cladding dry.

When the cladding is completely dry apply the finish according to the supplier's instructions.

normal phenomena

Cracks on the surface and on the ends of the boards can occur due to the different drying characteristics of the surface and board ends.

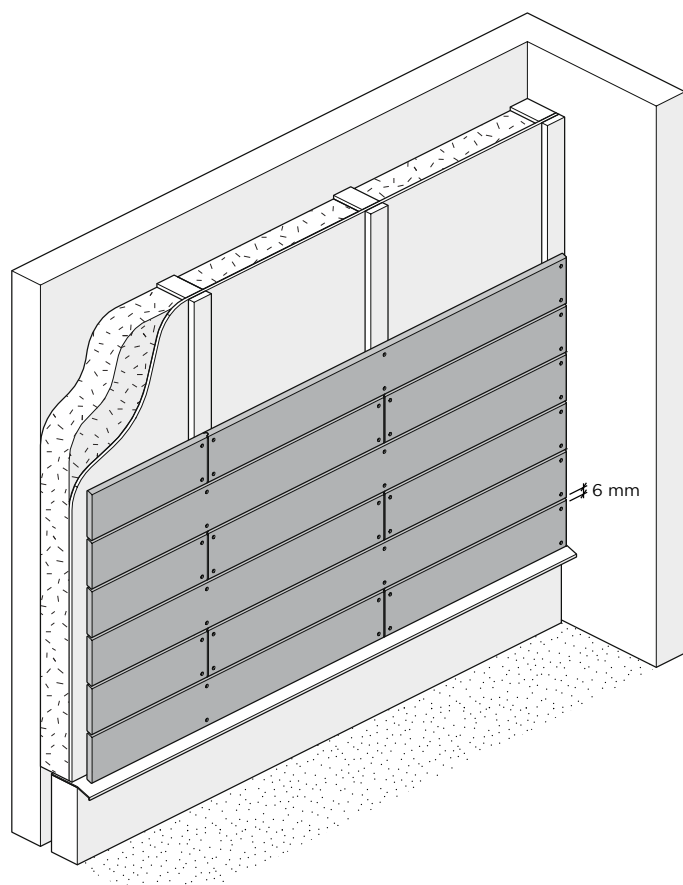
This does not affect the stability or durability of the board.

The surface side of the boards will become rougher over time and can form (small) splinters as a result of continuous water absorption and desorption due to dry and wet weather periods. Dimensional change or cupping of the boards can occur after installation. These phenomena are normal for most hardwood species and MOSO® Bamboo X-treme®.

After installation, there might be some bleeding or leaching of colour from the bamboo material when it gets wet, e.g. when it rains. This possible bleeding is typical for wood and will disappear over time.

The brownish liquid can easily be cleaned from the Bamboo X-treme® material, however controlled water drainage and prevention of splash water is required to prevent any discoloration of surrounding or underlying building components.

normal pattern



storing

Store MOSO® Bamboo X-treme® in a cool and dry place away from direct sunlight, and protected from weather influences, dirt and dust.

additional note

Whilst all due care is taken to ensure the accuracy of the installation instructions, individual circumstances (location, sub structure and installation procedures) may vary and are beyond the manufacturer's control. In case of doubt, therefore, consult the distributor. Always follow the local building code.

MOSO warrants the bamboo material and the mounting materials (screws) it supplies but does not warrant the connection with other materials (such as sub frame joist/battens). It is the responsibility of the installer to make sure the used screw matches such materials during the full lifetime of the product.

These instructions are subject to change. For the latest version visit www.moso-bamboo.com/x-treme/cladding

Copyright © Nothing from this text may be reproduced without the prior permission in writing from MOSO International BV.

random pattern

