

# **bamboo** **n-finity** **outdoor** **products**

processing & installation  
instruction

# MOSO® bamboo n-finity outdoor products

## processing & installation instruction

### before installation

- Bamboo N-finity complies with the requirements of Use Class 3 (EN 335) and Durability Class 1 (EN 350 / CEN/TS 15083-1). Therefore, we do not advise installation of the material in direct contact with the ground.
- Bamboo N-finity is impregnated against rot and surface fungi. The anti-rot impregnation reaches the core of the material; however, the anti-fungal impregnation is a surface treatment and penetrates 2-3 mm deep. For this reason we do not recommend to do any surface profiling. Doing so will remove anti-fungal protection.
- Install the beams or boards with a gap (min. 5 mm) in between (and to adjacent surfaces) to provide enough ventilation. In case of cladding: fix the boards on a frame, which allows at least a 20 mm distance from the wall.

### please note

- Bamboo N-finity is a natural product, which can vary in colour, structure and look. As with any outdoor wood, if no additional finish is applied it will discolor and turn greyish over time.
- Small splinters and small cracks in the surface and on the ends can occur over time. The surface will get rougher due to exposure to the weather. This phenomenon is normal for outdoor exposed wood and cannot be grounds for a claim.
- Some deformation and/or cupping of the material can occur. This phenomenon is normal for outdoor exposed wood and cannot be grounds for a claim.

### transport and storage

- Bamboo N-finity has to be stored in a dry place without direct sunshine, and protected from weather influences. The material has to be kept protected against dust and other possible pollution, while maintaining sufficient ventilation.
- Bamboo N-finity has to be transported and stored on pallets, to avoid bending. If joists or supports are used, the distance between should be max. 600 mm.
- For storage in places where large humidity changes can occur MOSO recommends sealing the material using (shrink) plastic wrap.

### processing

- Cutting, planing and sanding on length side should be avoided, as it removes the anti-fungal protection.
- Cross cuts, either delivered from the factory or cut on site, should be treated with a head side sealer (available through MOSO®).
- Head side sealer will give a durable protection against excessive moisture uptake through the head side.
- Cross cut head sides under a 15° angle to improve water drainage and finish with head side sealer.
- Inside the material there may be small holes/seams/gaps between the strips. This is a normal phenomenon. As you cut through the material these may become visible and we recommend filling them using a suitable exterior grade wood filler of matching colour.

### installation

- To allow natural shrink- and swell behaviour and ensure sufficient ventilation, install Bamboo N-finity with a minimum of 5 mm (horizontally and vertically) distance between individual components and from adjacent materials.
- MOSO® Bamboo N-finity® must be mechanically fixed, using screws/bolts. The fixation instruction depends on the application.
- Use stainless steel A2 screws/bolts.
- When the material is installed using screws, predrill holes to avoid cracks.
- If the material is installed with the screws hidden (screwed from backside), make sure to pre-drill with a drill diameter which is 0.8 mm smaller than the screw (for example 4.2 mm if the screw is 5 mm). See figure 1.
- If the material is installed with the screws going through the bamboo, into a sub structure, make sure the screw-hole in Bamboo N-finity is at least 0.5 mm bigger than the screw (for example 5.5 mm if the screw is 5 mm). See figure 2.
- Before drilling all holes we advise to do a test.

### finish

- Bamboo N-finity does not require a finish, unless you want to slow down its natural weathering behavior. The material will turn light grey if you do not apply any finish.
- To finish the material we advise the use of Sikkens Cetol Savannah, which is a Lasur.
- To avoid color differences and unequal shrink and swell behavior we recommend to apply a finish on all sides.
- Re-applying depends on the severity of the UV radiation and can vary between once per year to once per 2-3 years.
- Please follow the supplier instructions (application method and amount, drying time, etc.).

### additional note

Whilst all due care is taken to ensure the accuracy of the installation instructions, individual circumstances (location, sub structure and installation procedures) may vary and are beyond the manufacturer's control. In case of doubt, therefore, consult the distributor.

**These instructions are subject to change. For the latest version go to [www.moso.eu/n-finity](http://www.moso.eu/n-finity)**

Copyright © Nothing from this text may be reproduced without the prior permission in writing from MOSO International BV.

# MOSO® bamboo n-finity outdoor products processing & installation instruction

Figure 1. Option 1: hidden screw

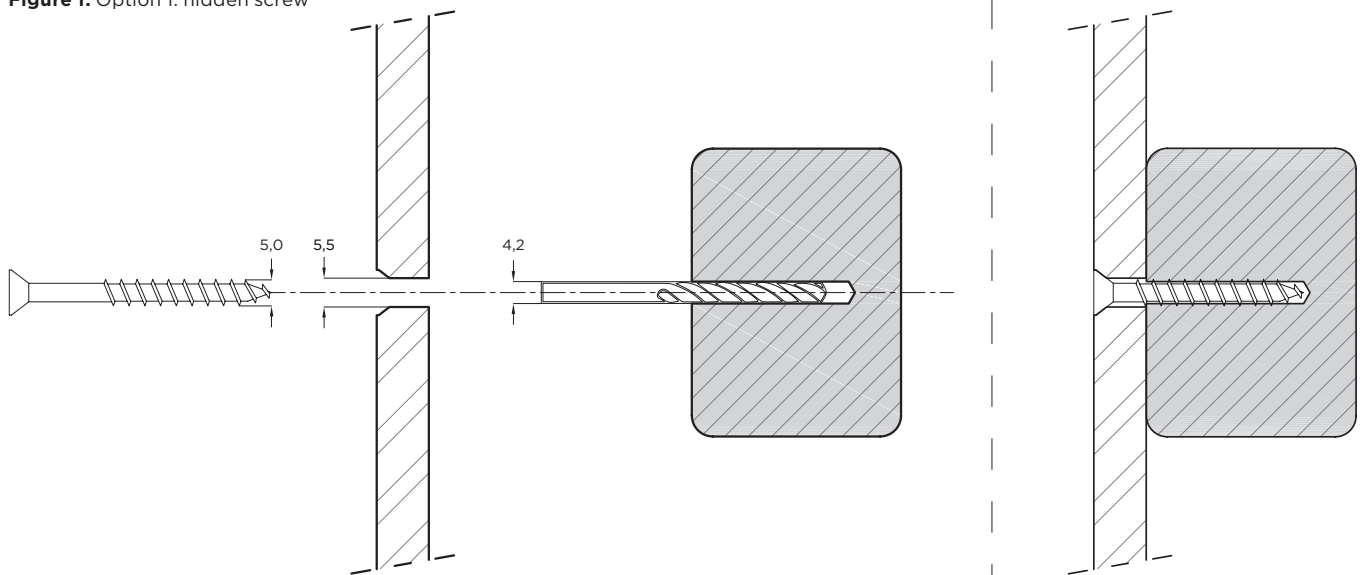


Figure 2. Option 2: screw through bamboo, into sub structure

