

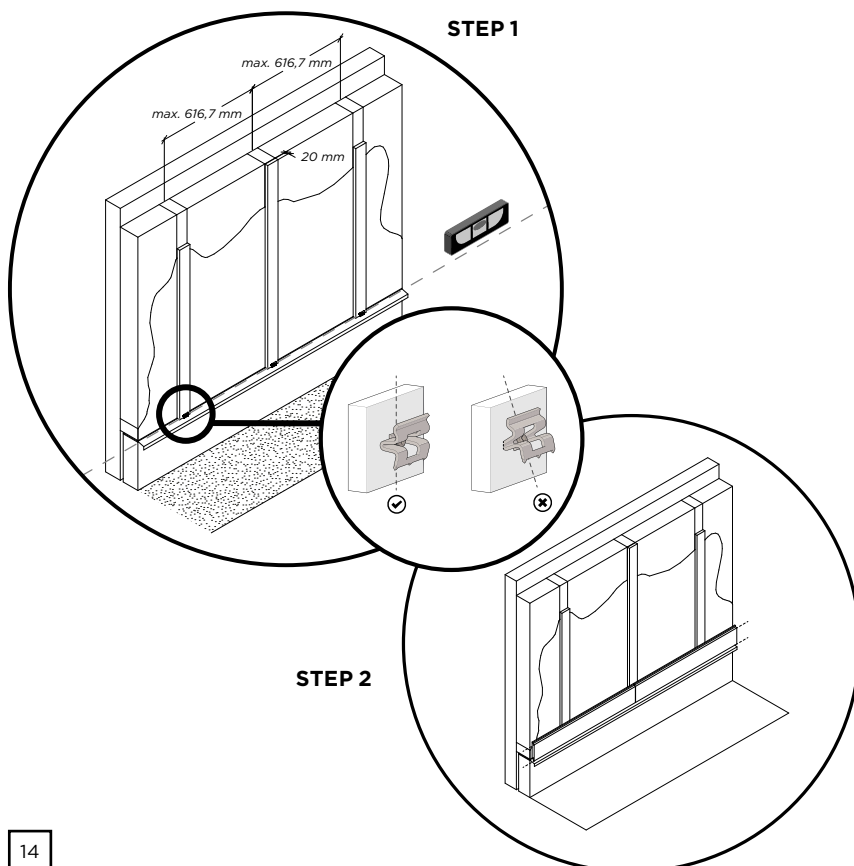
MOSO® Bamboo X-treme® Outdoor Cladding

installation instruction

important

- The MOSO® Bamboo X-treme® outdoor cladding board is a natural product, and some variation in colour, grain and appearance is normal. Colour can change fast from dark brown to brown or grey, depending on the climatic conditions and maintenance schedule.
- Small cracks and splinters on the surface and on the end of the boards can arise from the different drying characteristics of the surface and cross cut ends. The surface will also get rougher over time. This phenomenon is normal for most wood species and is minimized for this product by its unique 'Thermo-Density®' production method. Cracks can be further minimized by applying wax on the ends of the boards.
- Slight dimensional change or cupping of the boards can occur after installation. This phenomenon is normal for most wood species and is minimized for this product by its unique 'Thermo-Density®' production method.
- Keep at least 5-6 mm ventilation space between the boards (in vertical direction) except for the new closed cladding profile (BO-DTHT530). Installation with MOSO® Bamboo X-treme® fasteners ensures correct spacing automatically.
- Because of the stability of the boards and the shape of the end-match system no expansion space is needed on the length (the end of the boards).
- We recommend applying end sealer wax on every (cut) end to prevent water penetration. End sealer wax is available as an accessory.
- If a random joint pattern is desired, the distance between the battens can be maximum 300 mm (see drawing random pattern).

rebated profile



maintenance

It is possible to leave the cladding without maintenance; the result will be a rough and grey appearance. If you want to keep a darker colour, regular application of oil/saturator is needed:

- Clean the cladding with water.
- Let the cladding dry.

When the cladding is completely dry apply the oil or saturator according to the supplier's instructions.

storing

Store MOSO® Bamboo X-treme® in a dry, cool place protected against dust and direct sunlight.

the installation

rebated profile

- Apply a waterproof membrane against the wall and screw vertical battens (at least 20 mm thick, 60 mm wide) onto that, creating a rigid/flat surface onto which the boards can be fixed.
- Each board should be fixed on at least 3 battens: so the maximum centre-to-centre distance between the battens is 616.7 mm (1850 mm/3).
- The cladding boards should be fixed using the MOSO® Asymmetric fasteners (18 mm). Make sure the MOSO® Fastener is screwed in the middle of the batten so that it is fully supported.

- Please note: At the edges of the cladding, keep a distance of 5-10 mm from adjacent materials, to allow for sufficient ventilation.

STEP 1 levelling first row of fasteners

- Start with the lowest row of fasteners (asymmetric fastener with waved side up) and make sure they are placed fully level (using a spirit level).
- Avoid overtightening the screws as this can pull the fastener slightly into the wood, making it difficult to place the board onto the fastener.

STEP 2 install first row of boards

- Place the board onto the row of fasteners. The waved side of the fastener enables an easy grip into the groove of the board.
- Make sure that the fasteners engage deeply enough in the groove so that the boards lay level. Tapping the boards should be done carefully, preferably with a rubber mallet.
- We advise always fixing the end (end joints) of the boards on a batten/beam, using 2 fasteners.

STEP 3 second row of fasteners

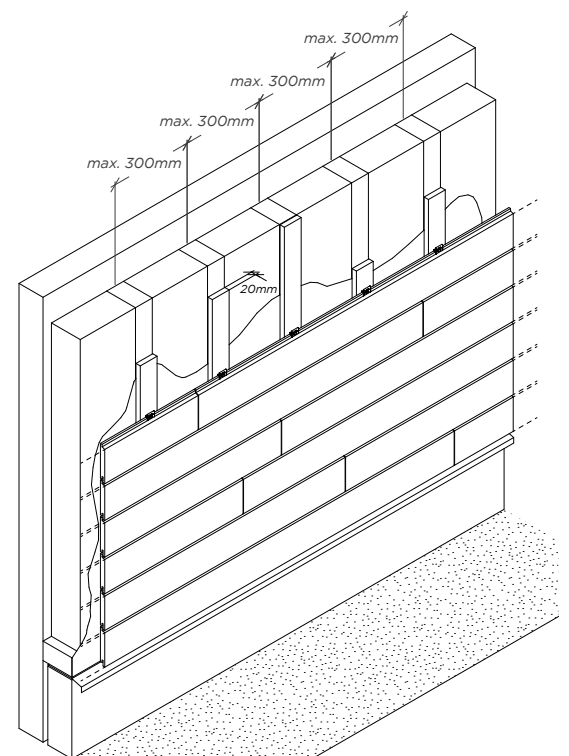
- Install the second row of fasteners (asymmetric fastener with the waved side up), pushing them down on the tongue of the first row of boards.

STEP 4 install second row of boards

STEP 5 Continue with the rest

- Continue to install the cladding boards in this way to cover the full surface. Make sure you keep the fasteners level and make sure enough ventilation space (5-10 mm) is kept on the edge.

random pattern



MOSO® Bamboo X-treme® Outdoor Cladding

installation instruction

trapezium profile

- Apply a waterproof membrane against the wall and screw vertical battens (at least 20 mm thick, 60 mm wide) onto that, creating a rigid/flat surface onto which the boards can be fixed.
 - Each board should be fixed on at least 3 battens: so the maximum centre-to-centre distance between the battens is 616.7 mm (1850 mm/3).
 - Fix the cladding boards using countersunk screws. Use a screw which performs in the material of the batten.
 - Please note: At the edges of the cladding, keep a distance of 5-10 mm from adjacent materials, to allow for sufficient ventilation.
- **STEP 1 Install first row**
 - Start with the lowest row of boards and make sure they are placed fully level (using a spirit level).
 - Take care about the positioning of screws, try to align them and thereby obtain an equal distribution. Always use 2 screws at each fixing point. Please see the detailed drawing below, which indicates the positioning of screws.
 - Make use of a countersink drill to ensure the same sinking depth for every screw.
 - **STEP 2 Install second row**
 - Install the second row of boards, using a minimum 6 mm spacer.
 - Please regularly check that the boards are still level.

- **STEP 3 Continue with the rest**
 - Continue to install the cladding boards in this way to cover the full surface. Make sure you keep the boards level and make sure enough ventilation space (5-10 mm) is kept on the edge.

Closed profile installation instruction is available at www.moso-bamboo.com/en/closed

additional note

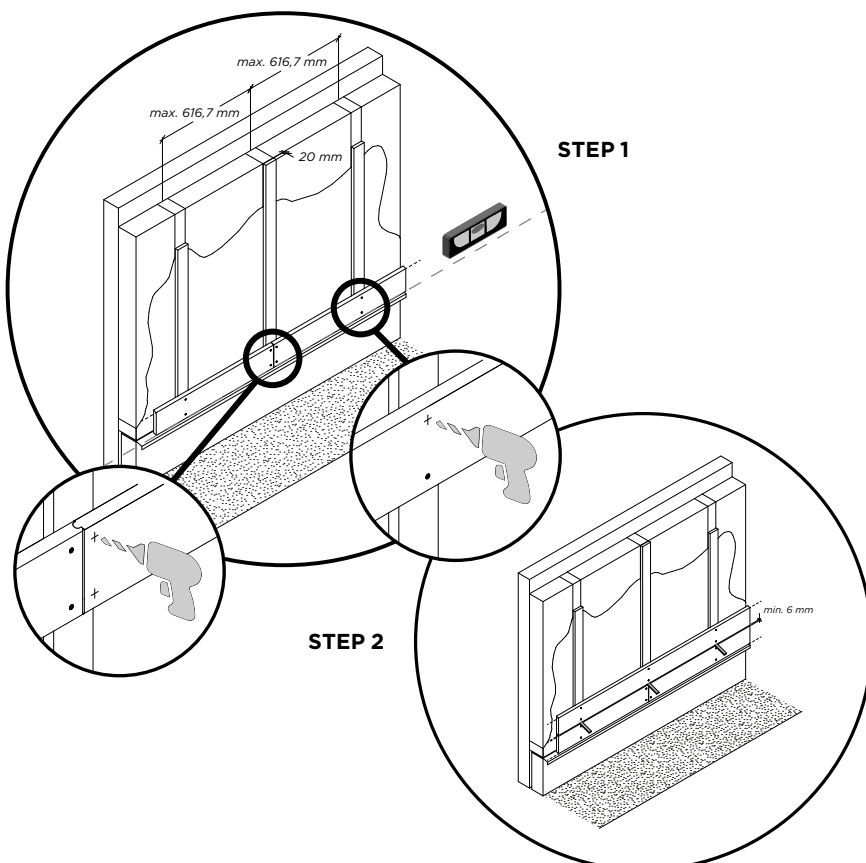
Whilst all due care is taken to ensure the accuracy of the installation instructions, individual circumstances (location, sub structure and installation procedures) may vary and are beyond the manufacturer's control. In case of doubt, therefore, consult the distributor.

MOSO warrants the bamboo material and the mounting materials (fastener/screw) it supplies but does not warrant the connection with other materials (such as sub frame joist/battens). It is the responsibility of the installer to make sure the used screw matches such materials during the full lifetime of the product.

These instructions are subject to change. For the latest version visit www.moso-bamboo.com/x-treme

Copyright © Nothing from this text may be reproduced without the prior permission in writing from MOSO International BV.

trapezium profile



random pattern

